

Light Stream Converter 2

Product datasheet

Converter from ArtNET to DMX or SPI protocol to control lighting fixtures with a built-in Ethernet switch with 2 configurable ports.



Features

Static IP or DHCP mode

The IP address can be set automatically via DHCP or manually using the Light Stream software.

High-speed DMX

Supports non-standard high-speed DMX protocol with an extended address range of up to 2048 addresses and data rates up to 1024 kbps per port (4 universes per port).

SPI support

Supports interference-free signal transmission for SPI strips and pixels up to a distance of 300 meters. Supports any IC with single-wire control, such as: UCS8903, GS8206, APA104, GS8208, WS2811, WS2812, WS2818, SK6812, UCS1903, TM1804 and others.

Easy installation

Adapted for mounting on a DIN rail and for installation in electrical cabinets with convenient front service. Also one Ethernet port supports PoE connection.

RDM support

RDM is fully supported over Art-Net, including ArtRDM, all other required packets, and full and continued discovery of RDM devices.

Daisy-Chain

Built-in dual-port 100Mbit Ethernet switch allow for separate network connections as well as linearly daisy-chaining several devices together up to 10 converters.

Standby scene function

In the absence of ArtNET signal, the converter can play a standby scene stored in the controller's internal memory of 512 channels for each DMX port, which is a single static light scene.

DMX Input/output

Input output mode for each port separately.

Reliability

Each port has an individual galvanic isolation for power and signal.

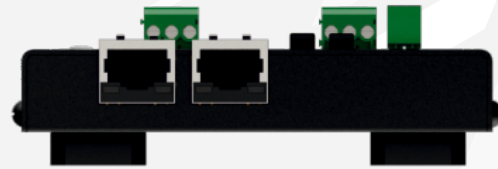
Dimensions

93 mm



108 mm

34 mm



Technical Specifications

Ergonomics

Case	Metal, with additional fasteners for mounting on DIN rail
Weight	310 g
Dimensions	93 mm • 108 mm • 34 mm

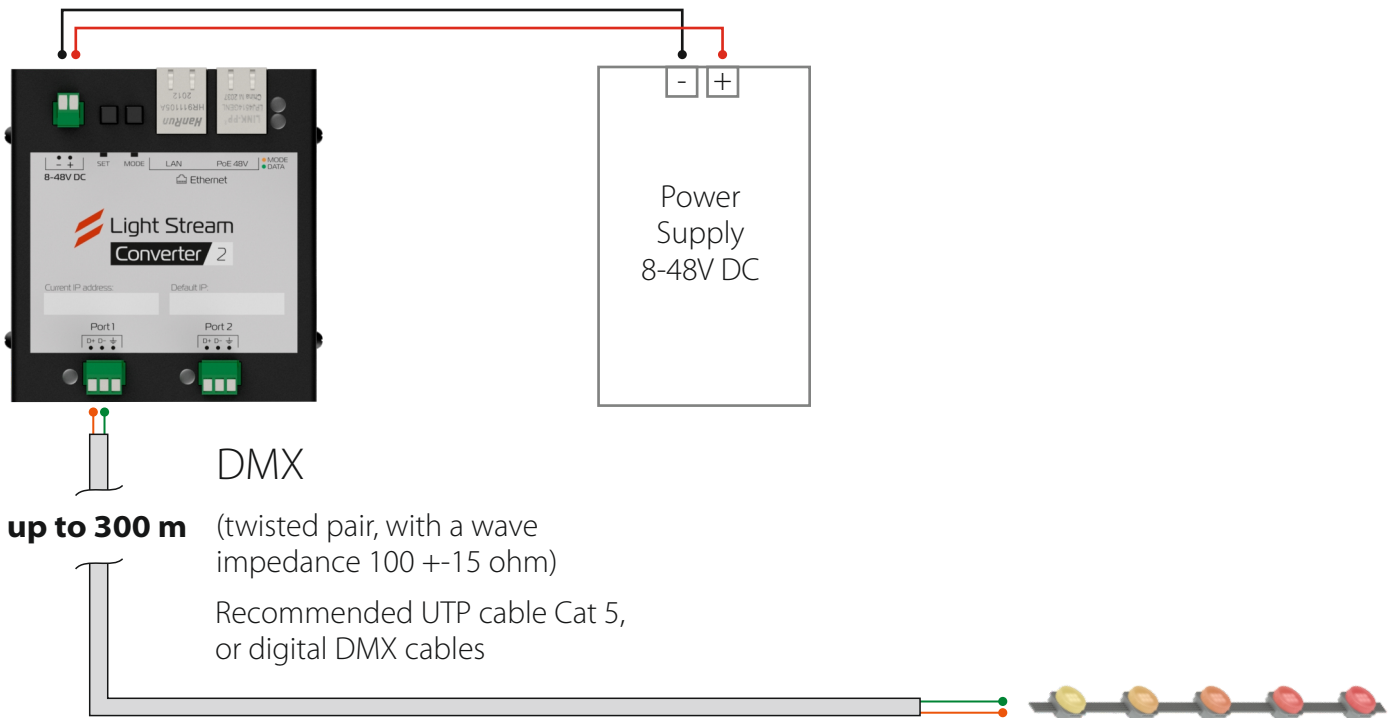
Interfaces

Interface	2 x 100Mbit/s Ethernet ports (built-in switch)
DMX output	2 bidirectional ports (RDM support)
Number of addresses per port	512 or 2048 (optional for SPI and high speed DMX)
Connector	screw terminal connectors for cables up to 1.5 mm ²
Galvanic isolation on the ports	By signal: optical By power supply: up to 1000V DC
Voltage and consumption	8-48V DC, POE to 24-48V DC, up to 5 W
Power consumption	3W. 240mA@8V, 160mA@12V, 80mA@24V, 40mA@48V
Power connectors	screw terminal connectors for cables up to 1.5 mm ² .

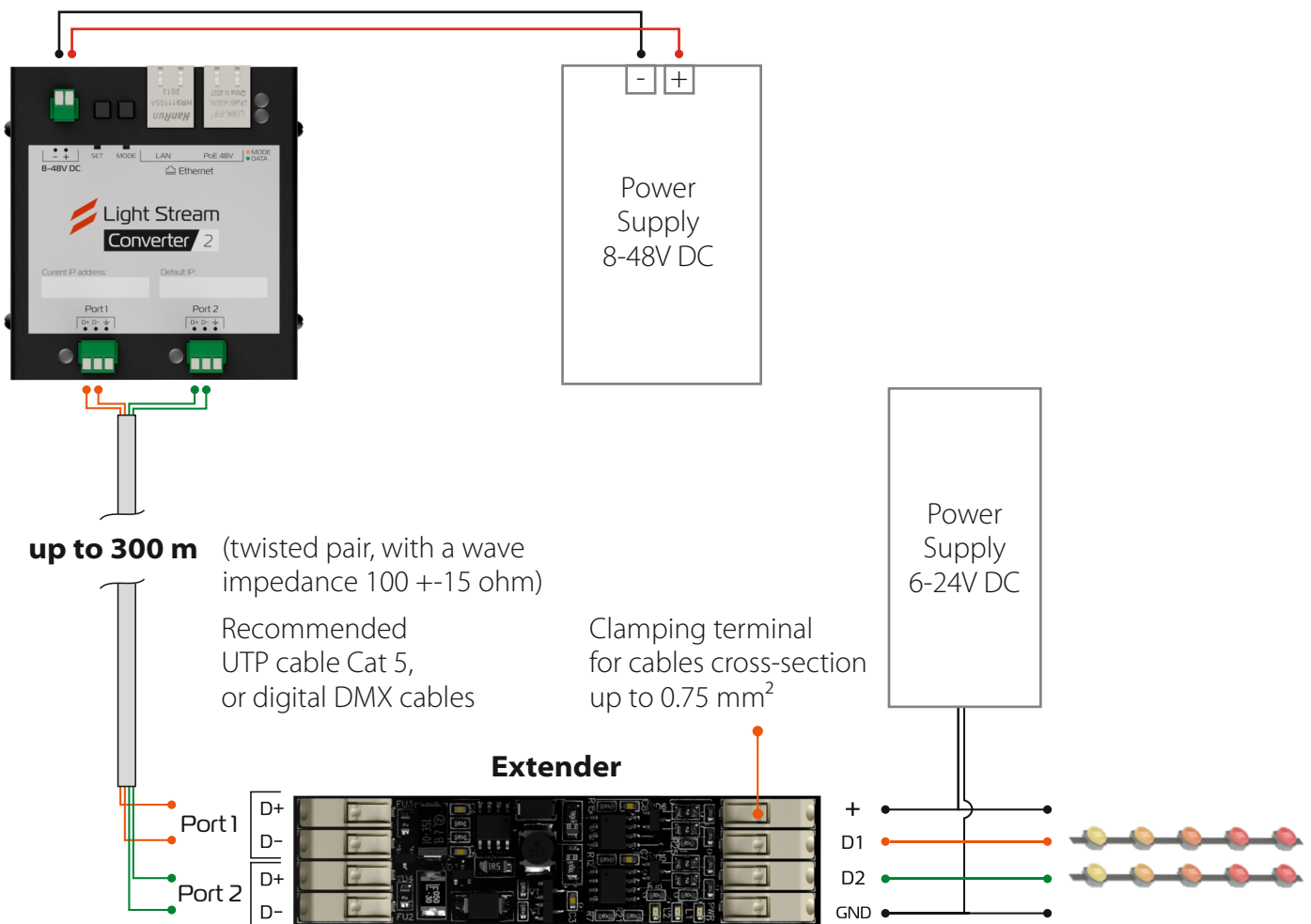
Operating conditions

Operating Temperature	-40°C to +50°C
Storage temperature	-50°C to +70°C
Humidity	5% to 85%, non-condensing
Resistance to electrostatic discharges	Air discharge ± 15 kV DC
IP rating	IP20
Warranty	2 years of limited manufacturer's warranty

Diagram for connecting devices via DMX



Wiring diagram for devices via SPI



Service

The connection cables and wires must be in good condition and securely fastened. There is no need to install updates on the device if it is in good working order and no new functionality is required. Before upgrading it is recommended to make a Backup version of the system in order to return to the previous version.

Safety

- Do not expose this unit to rain or moisture, it will void the warranty.
- Do not remove cover, no userserviceable components inside.
- Never connect this unit to a dimmer.
- Never connect 0V to electrical ground.

Package contents

- Light Stream Converter 2
- Network cable
- Connector

Certification

