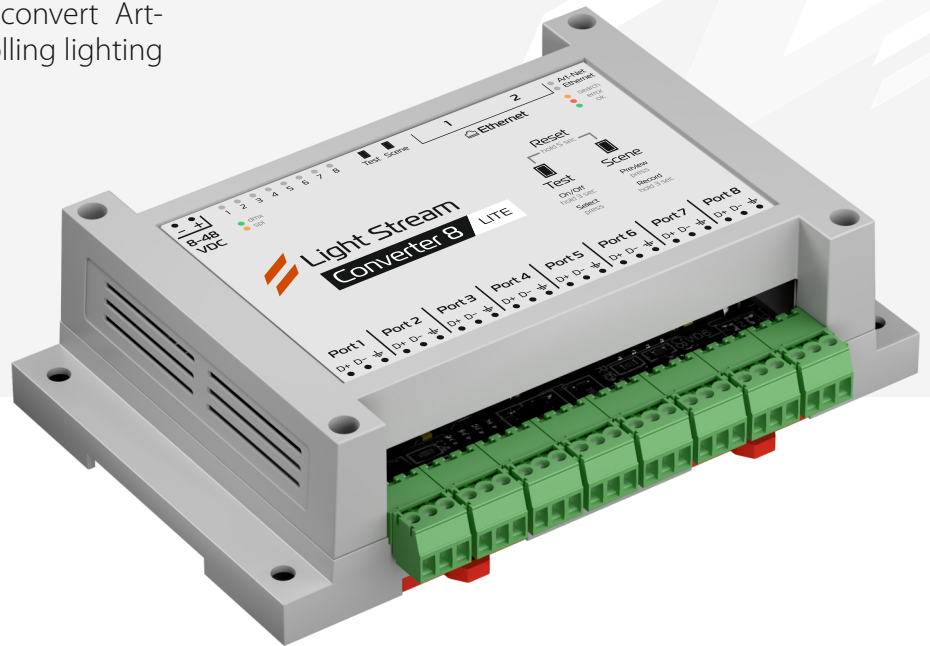


Converter with built-in Ethernet switch and 8 customizable ports. Designed to convert Art-Net signals to DMX or SPI for controlling lighting fixtures.



Features

Static IP or DHCP mode

The IP address can be set automatically via DHCP or manually using the Light Stream software.

High-speed DMX

Supports non-standard high-speed DMX protocol with an extended address range of up to 1024 addresses and data rates up to 500 kbps per port (2 universes per port).

DMX Input/output

Input output mode for each port separately.

Daisy-Chain

The integrated two-port 100 Megabit Ethernet switch allows you to connect individual devices to the network as well as connect them in a daisy chain of converters.

Standby scene function

If no Art-Net signal is available, the converter can play back a backup static light scene stored in the controller's internal memory of 512 channels for each DMX port.

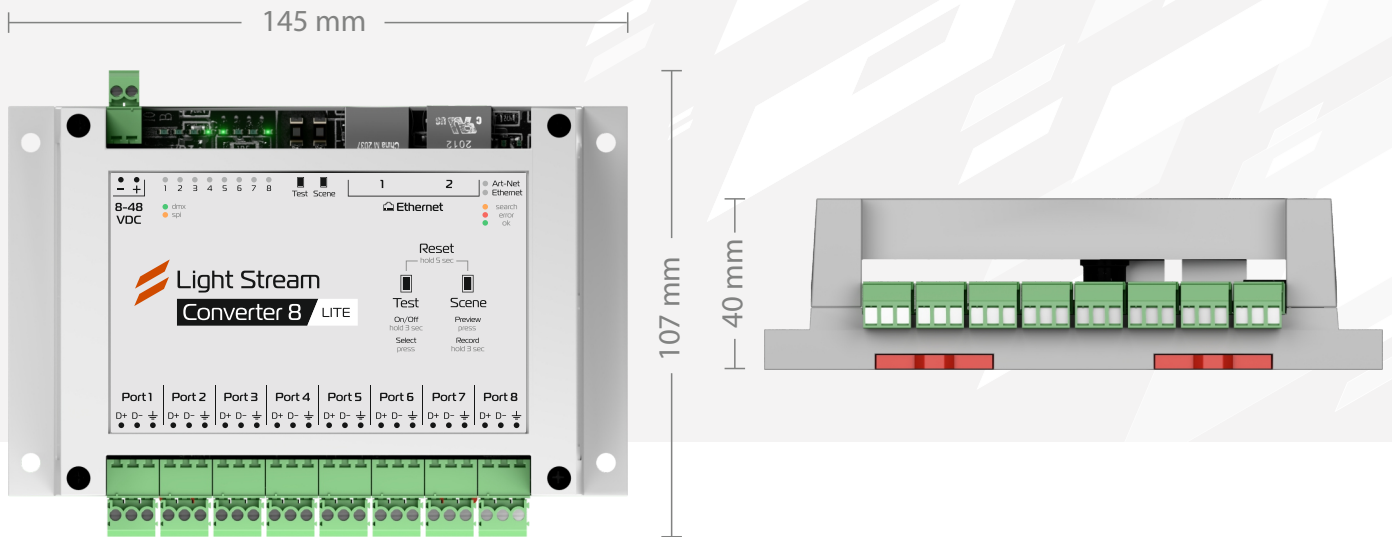
SPI support

Supports interference-free signal transmission (differential signal) for SPI tapes and pixels up to 300 meters. Supports any single wire IC such as UCS8903, GS8206, GS8208, WS2811, WS2812, WS2818, SK6812, UCS1903, TM1804, WS2814, TM1803, TM1914 and others. [Light Stream Extender](#) is required.

Easy installation

Adapted for mounting on a DIN rail and for installation in electrical cabinets with convenient front service.

Dimensions



Technical Specifications

Ergonomics

Case	Plastic, with additional fasteners DIN rail mounting
Weight	175 g
Dimensions	145 mm • 107 mm • 40 mm

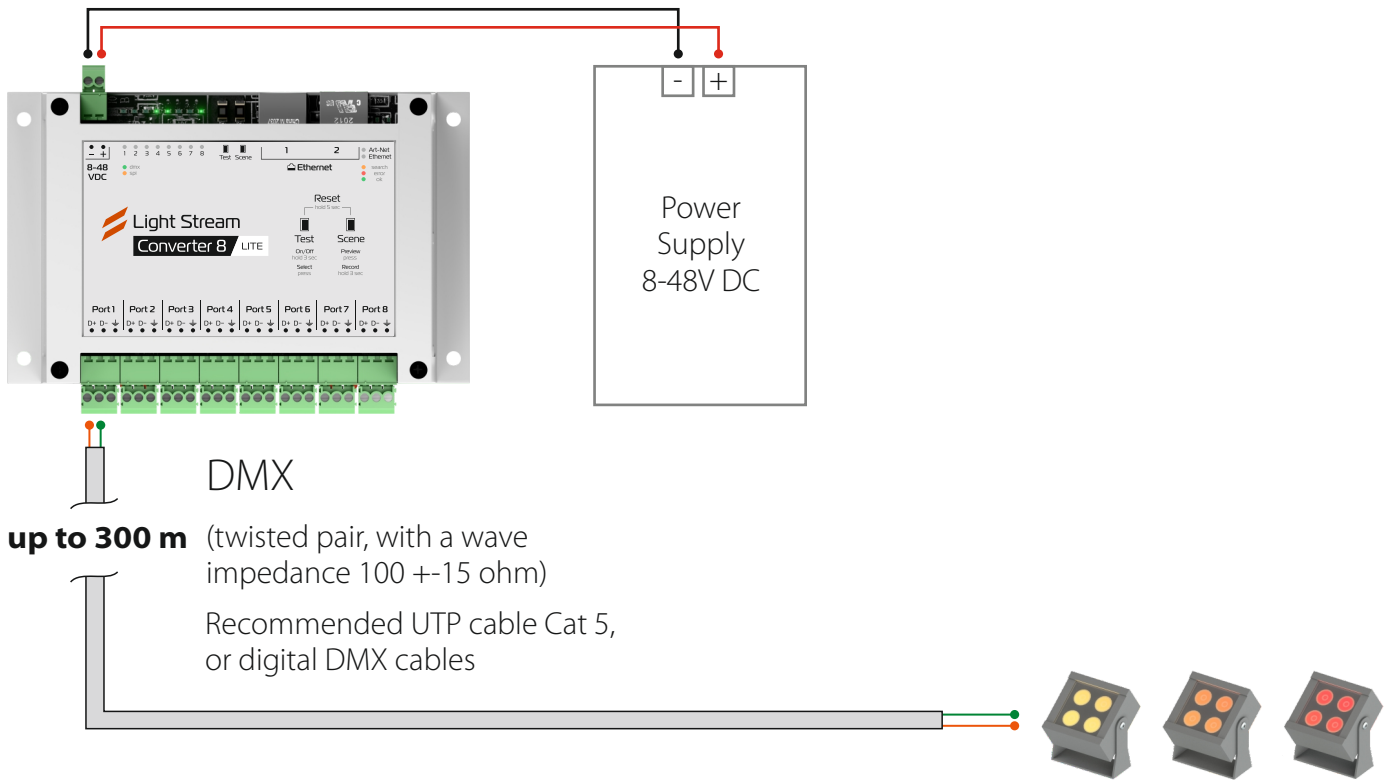
Interfaces

Interface	2 x 100Mbit/s Ethernet ports (built-in switch)
DMX output	8 bidirectional ports
Number of addresses per port	512 or 2048 (optional for SPI and high speed DMX)
Connector	screw terminal connectors for cables up to 1.5 mm ²
Voltage and consumption	8-48V DC
Power consumption	5W. 480mA@8V, 300mA@12V, 150mA@24V, 75mA@48V
Power connectors	screw terminal connectors for cables up to 1.5 mm ²

Operating conditions

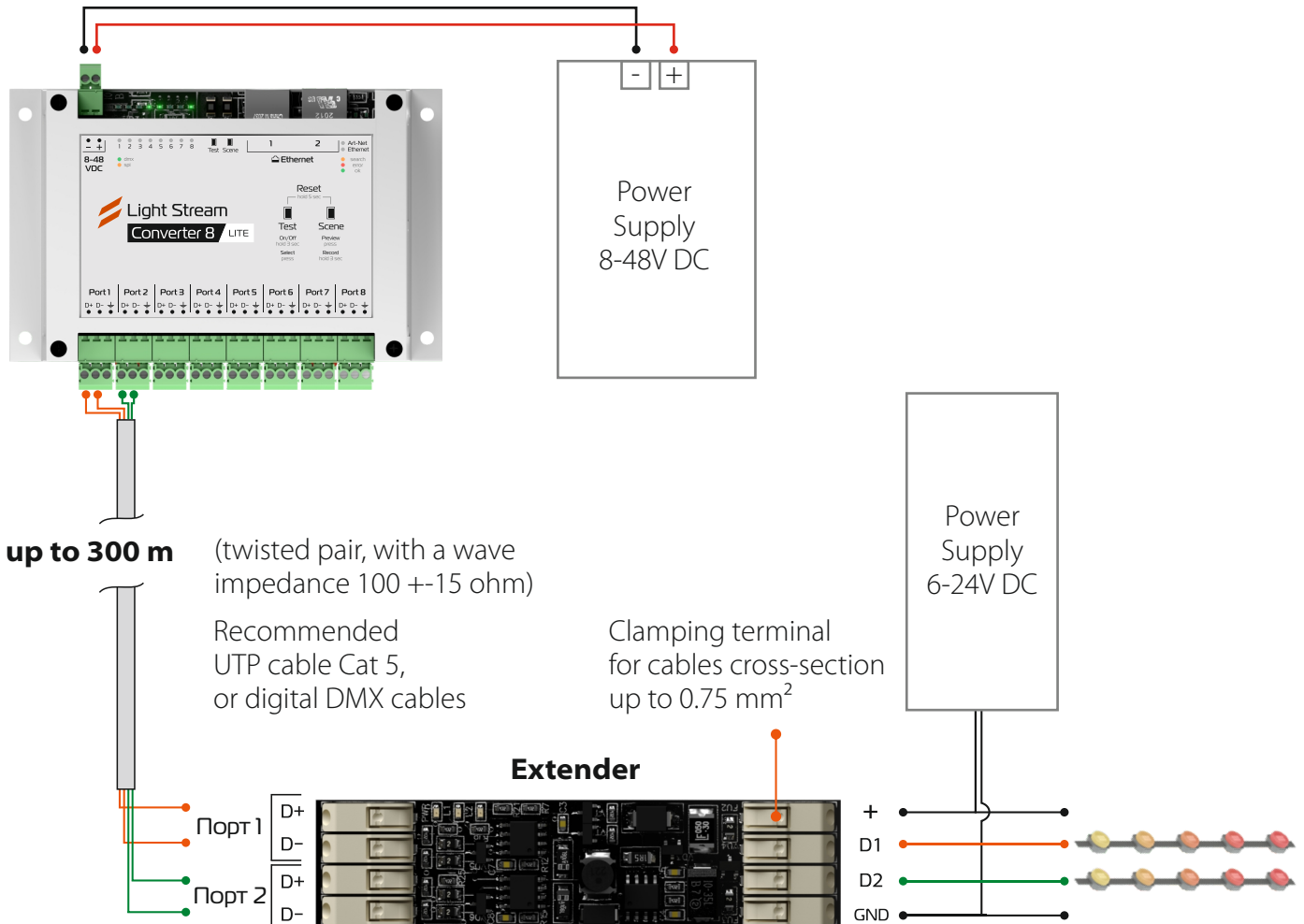
Temperature Operating	-40°C to +50°C
Storage temperature	-50°C to +70°C
Humidity	5% to 85%, non-condensing
Resistance to electrostatic discharges	Air discharge ± 15 kV DC
IP rating	IP20
Warranty	1 years of limited manufacturer's warranty

Diagram for connecting devices via DMX



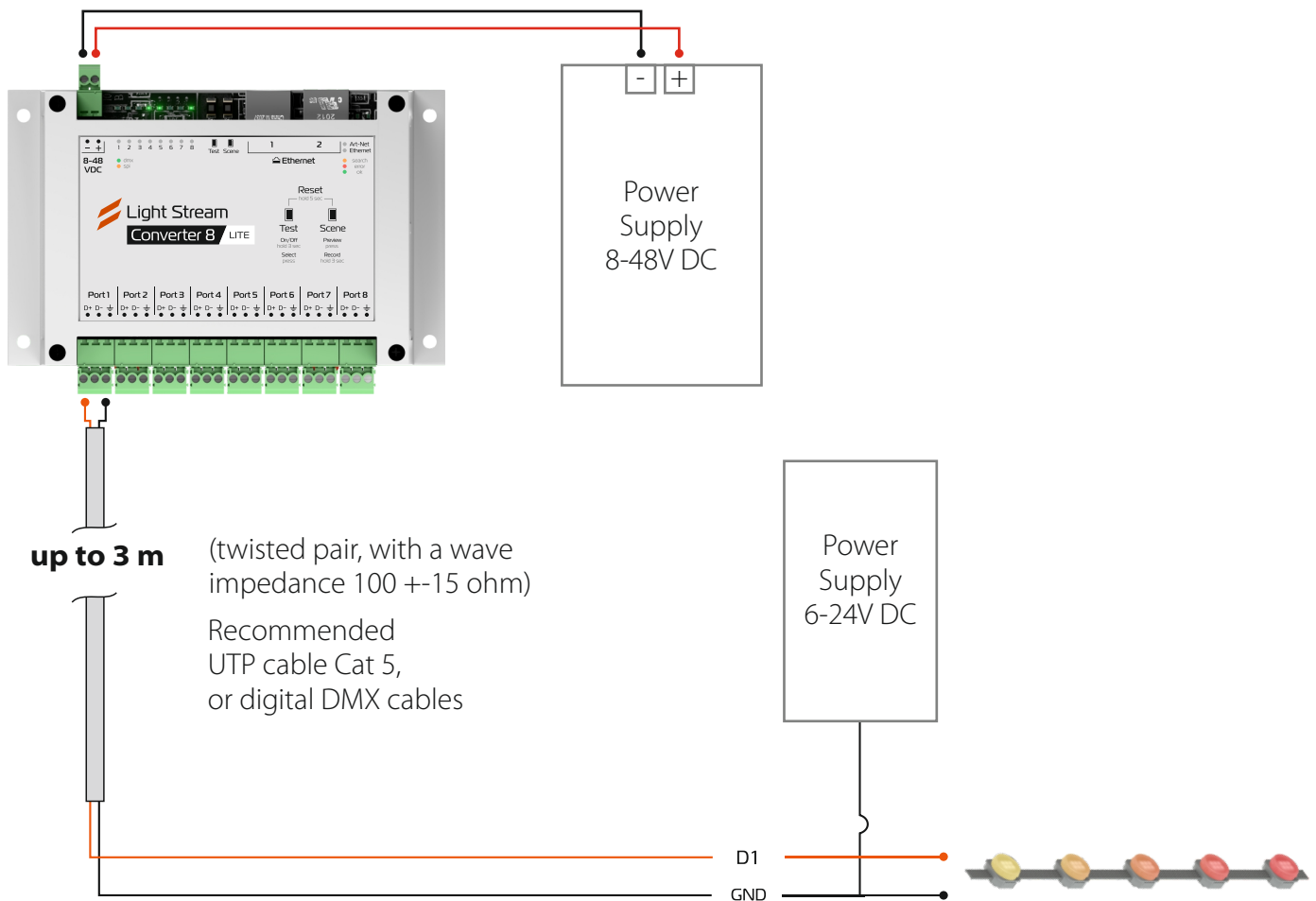
Wiring diagram for devices via SPI

if they are more than 5 metres away from the Converter 6 port



Wiring diagram for devices via SPI

provided that they are no more than 3 metres away from the Converter 6 port



Service

The connection cables and wires must be in good condition and securely fastened. There is no need to install updates on the device if it is in good working order and no new functionality is required. Before upgrading it is recommended to make a Backup version of the system in order to return to the previous version.

Safety

- Do not expose this unit to rain or moisture, it will void the warranty.
- Do not remove cover, no user-serviceable components inside.
- Never connect this unit to a dimmer.

Package contents

- Light Stream Converter 8 LITE
- Network cable
- Connectors

Certification

